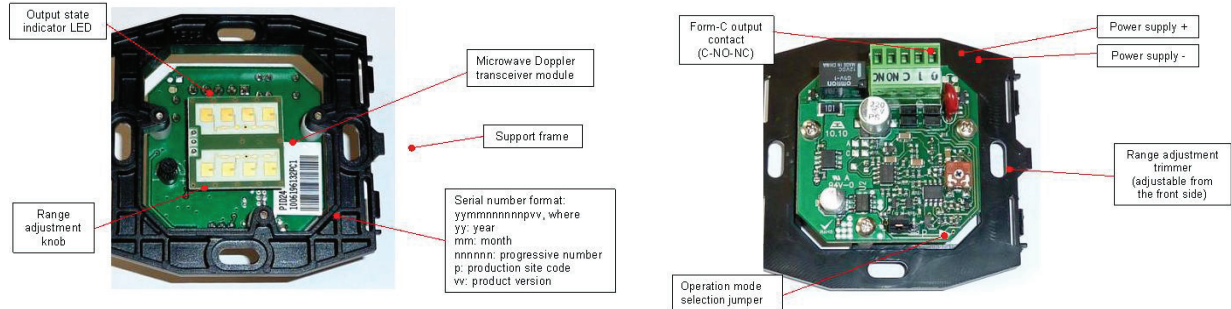
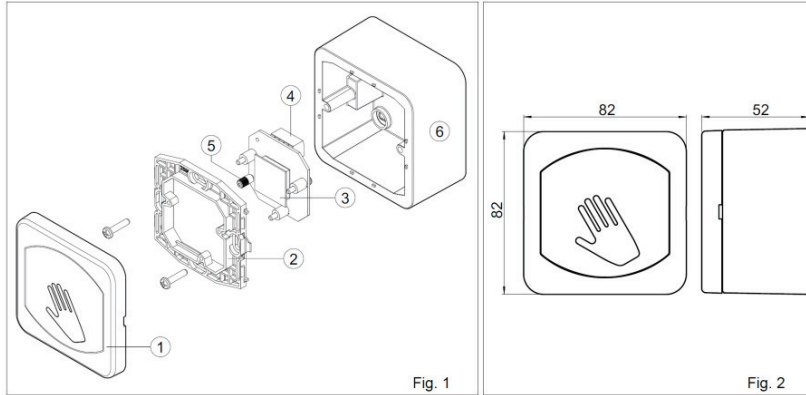


| | | | | | |
|-------------------------|--------------------|--------|-----------------------|-------|------------|
| No | Change | CM-No | Done | App'd | Date |
| 4.0 | Name was EMSR220-3 | 12-341 | JOB | LM | 2012-08-03 |
| Approved manufacturer | | | Approved manufacturer | | |
| DITEC, art. No. 60PID24 | | | / | | |
| / | | | / | | |
| / | | | / | | |
| / | | | / | | |



Technical information:

| | |
|-----------------------|---|
| Operating frequency | 24.150 GHz |
| Operating principle | Continuous wave Doppler transceiver |
| Transmission power | < 20 dBm |
| Antenna type | 4 + 4 patch microstrip antenna |
| Antenna pattern | Approx. 80° vertical x 32° horizontal |
| Sensing range | 10 – 50 cm nominal, trimmer adjustable |
| Operating temperature | -20° to +50° C |
| Output type | Form-C voltage-free relay contact, 1 A 30 V = resistive load |
| Operating modes | PULSE mode (approx. 0.5 s contact ON time), or TOGGLE MODE, jumper selectable |
| Power supply | 24 V AC / DC |
| Additional functions | Output state indicator LED |
| Dimensions | 82x82x50 mm |

Including EM / Entrematic manual.
Without logotype.

| | | | | | |
|---|-------------------------------------|----------------------|-----------------|----------------|------------|
| | | Technical remark | Status | | |
| | | | Approved | | |
| <input type="checkbox"/> | SPECIFIC SAFETY REQUIREMENTS | Classification | Unit | Drawn | Date |
| | | Description | pcs. | JOB | 2010-10-11 |
| Safety requirements acc'to: | | SENSOR EMSA13 | Rev. | App'd | Date |
| | | | 4.0 | LM | 2010-10-18 |
| ASSA ABLOY ASSA ABLOY Entrance Systems AB | | Art No: | | 1701367 | |
| | | | | | |