

Dimensions of H version (length of housing):

version	length
2-module	147 mm
3-module	191 mm
4-module	234 mm
5-module	277 mm
6-module	320 mm
7-module and more	62 + (43 * number of modules)

\* Specified dimensions don't concern configurations with UK power sockets nor the ones without multimedia ports / USB chargers. This kind of dimensions are available on request.



## magnet-Stick H

Mediaport mounted on the edge of the table top / desk. Simplicity of its assembling and disassembling ensures optimum organization of every workplace.

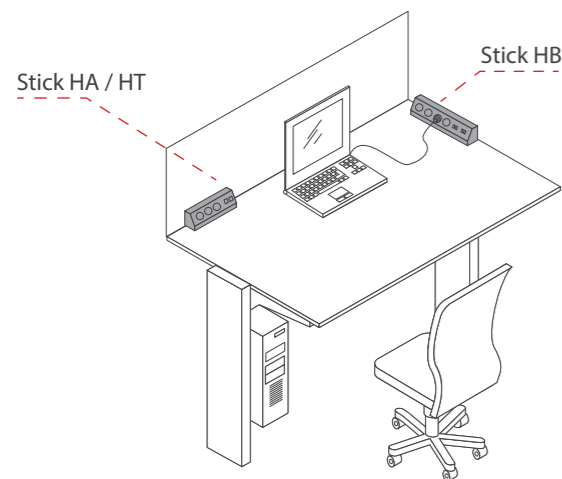
Due to the modular design and flexibility regarding number of modules (from 2 to 6 in standard versions) **magnet-Stick H** gives the opportunity to meet the individual client's requirements.

It's available in 3 mounting versions:

- HA - used in arrangements with dividing walls, housing is flushed with edge of the table top and cables fall under the desk
- HB - housing projects beyond the outline of the table top and cables fall perpendicularly
- HT - used in arrangements with dividing walls overlapping on the desks.

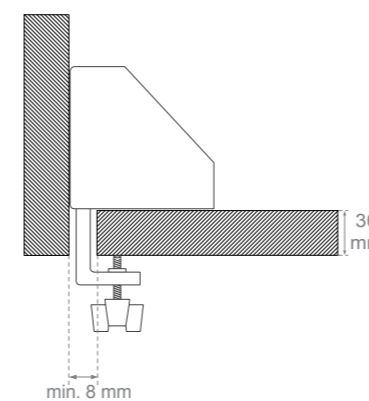
■ Standard versions:  
2-module, 3-module, 4-module, 5-module, 6-module.

■ System used in **magnet** product line allows to adopt the configuration to individual client's needs because of available power sockets and multimedia modules. More information on page 28.



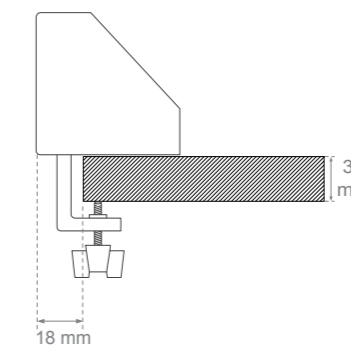
### magnet-Stick HA

Mounting versions



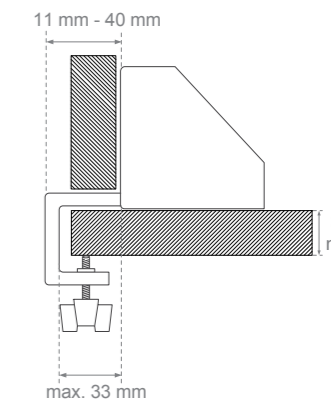
### magnet-Stick HB

Mounting versions

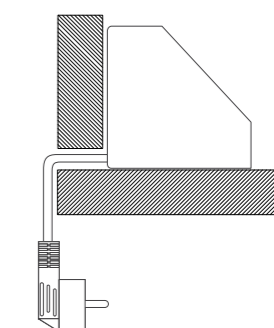
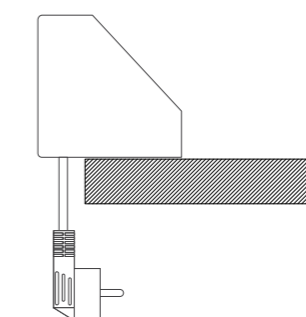
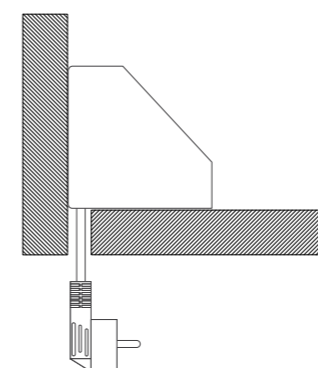


### magnet-Stick HT

Mounting versions



Cable routing versions



WHITE (RAL9003)



BLACK (RAL9005)



NATURAL ANODIZED ALUMINIUM