

magnet-stick HA



Multimedia within your grasp...

magnet-stick HA Multimedia unit to install on the edge of table using integrated mounting bracket. Cables routing in HA model enables applying this unit to office dividing wall. Versions: 3, 4, 5, 6 and 7-modules.

STANDARD COLOURS:



black
(RAL9005)

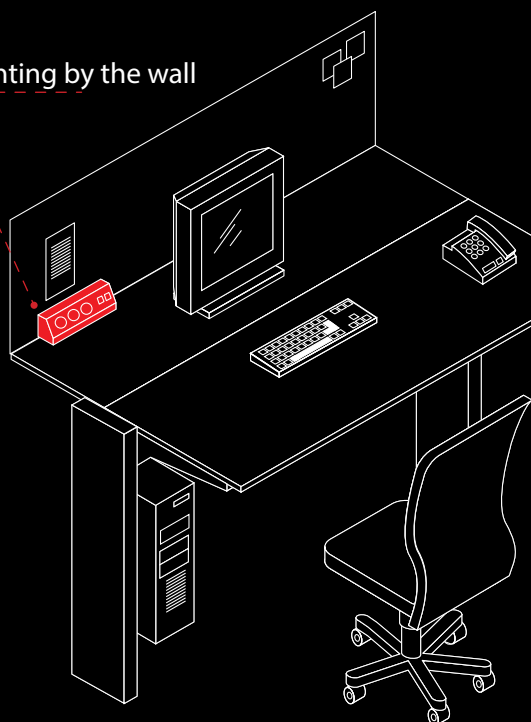


white
(RAL9003)

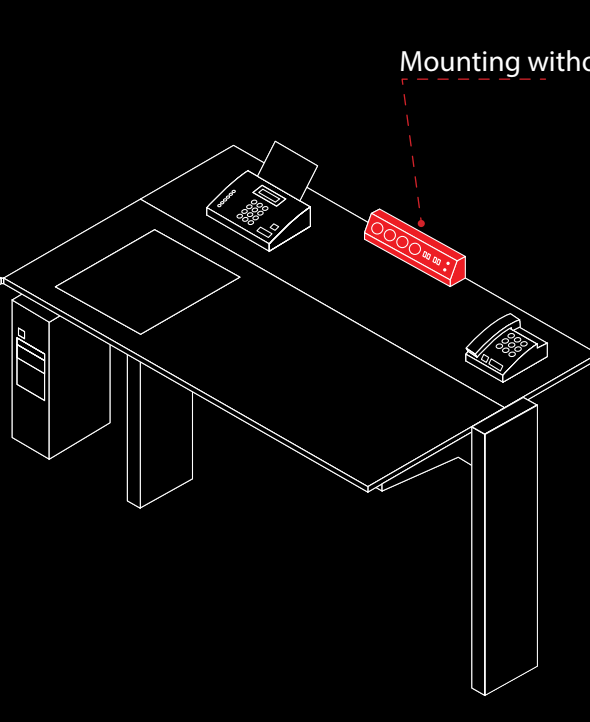


silver-grey
(RAL9006)

Mounting by the wall

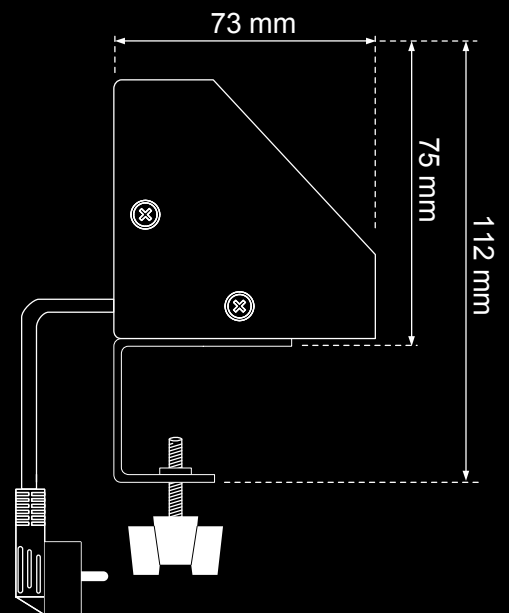
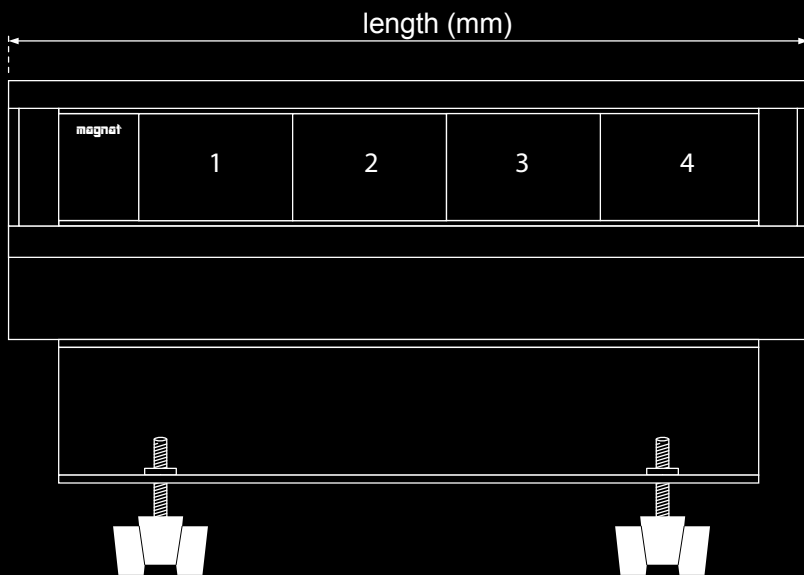


Mounting without wall



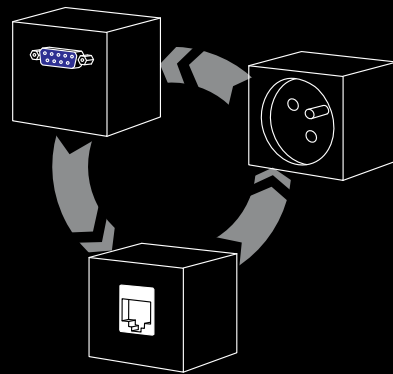
The modular design enables flexible configuration of the unit.

The unit can include – next to power sockets – data RJ45, video VGA, DVI, HDMI, DisplayPort, RCA, S-Video, audio miniJack, XLR, S/PDIF, serial ports USB, RS232, control switch and others.



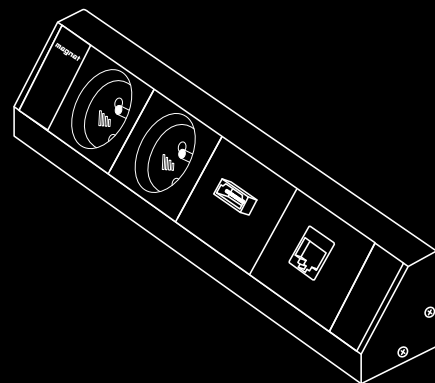
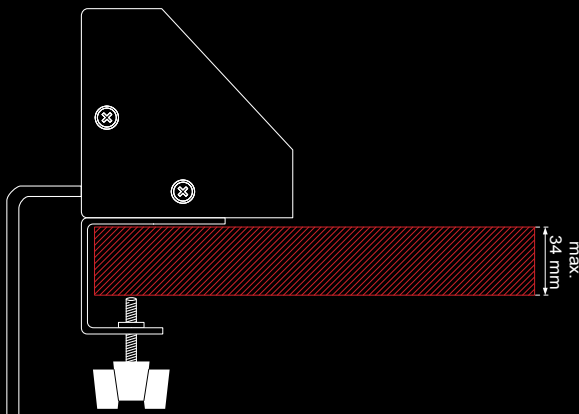
Dimensions of Magnat-Stick HA version (unit length):

Version	Length
3-modules	191 mm
4-modules	234 mm
5-modules	277 mm
6-modules	320 mm
7-modules	363 mm



Variety of configuration options using power and multimedia modules.

Maximum thickness of the table/desk top up to 34 mm.



Assembly to table top using wing screws.

Cables output from the rear side of the unit.

Unit alignment with the edge of the table/desk top.

