

magnet-Subdesk Multi

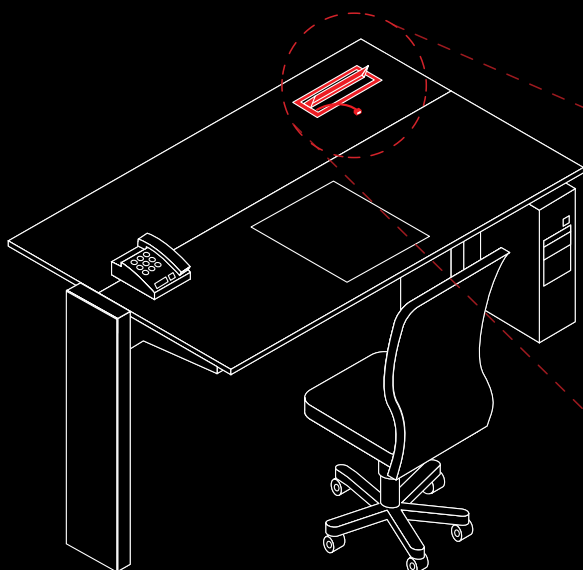


Multimedia within your grasp...

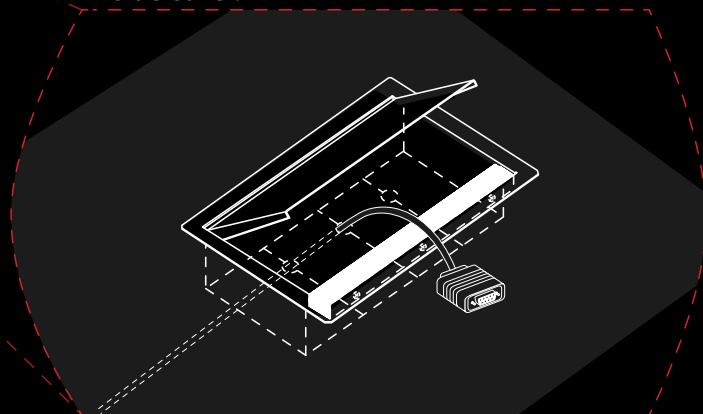
magnet-Subdesk Multi Hinged cover with brush strip built-in table desk/top. It has bottom cover with bushing holes for cables routing. Easy removing bottom cover elements allow to pass power and multimedia cords through the holes in the bottom. Versions: 4 and 6-modules.

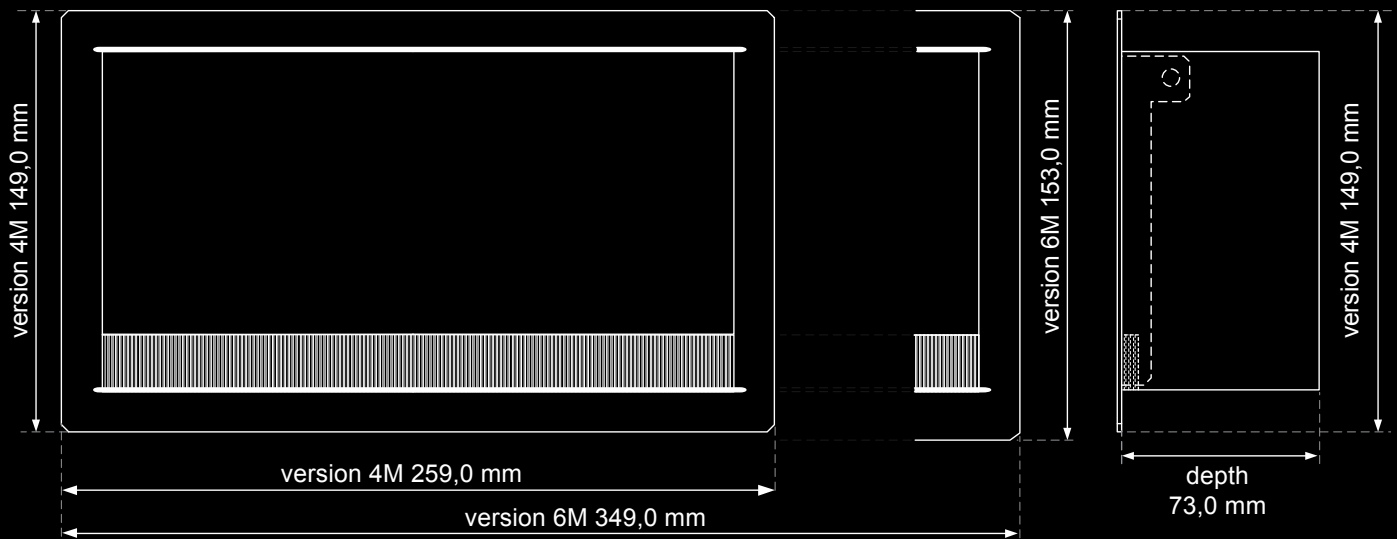
STANDARD COLOURS:

-  white (RAL9003)
-  black (RAL9005)
-  silver-grey (RAL9006)
-  stainless steel (INOX)
-  chromed-plated steel (CHROME)



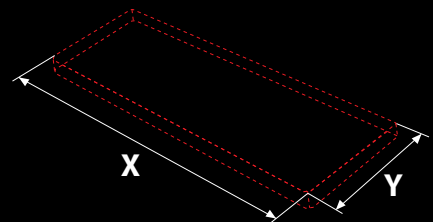
Bottom cover elements are suitable to hold cables inside cover.



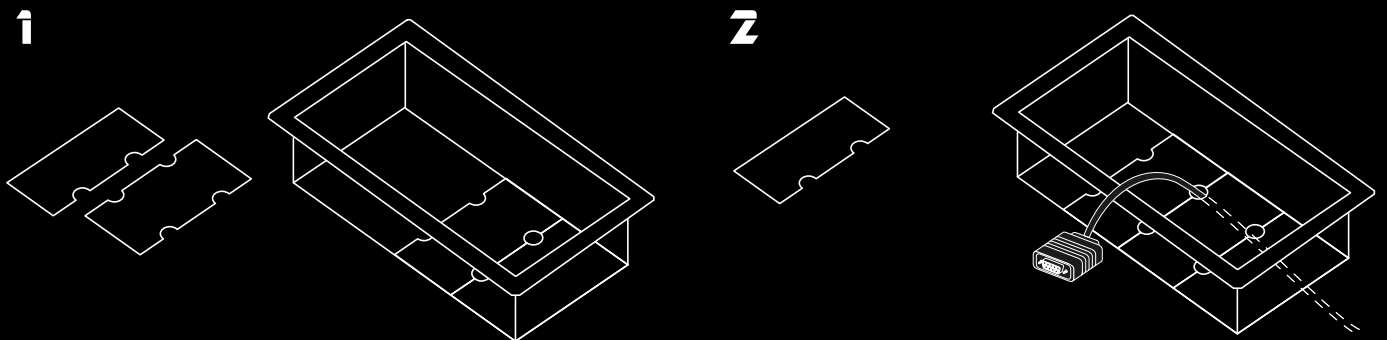


Mounting holes dimensions:

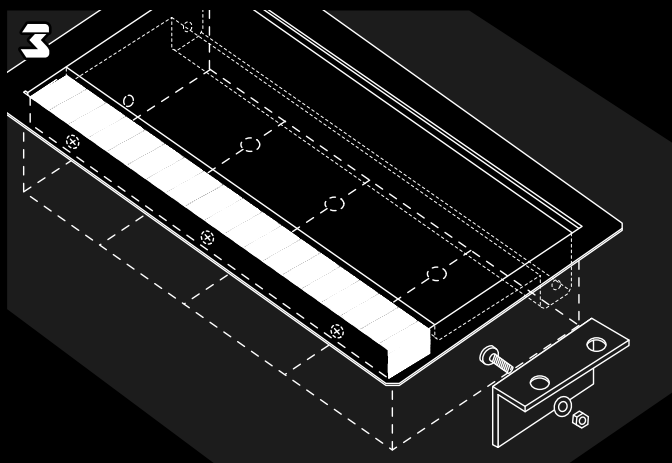
| Version | Number of holes in the bottom | X | Y |
|---------|-------------------------------|-----------------|-----------------|
| 4M | 6 | 238 mm - 242 mm | 137 mm - 141 mm |
| 6M | 8 | 324 mm - 328 mm | 137 mm - 141 mm |



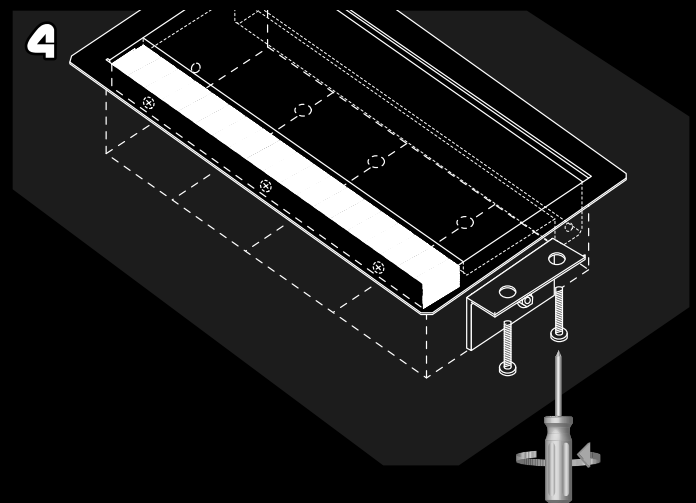
Assembly



The bottom consists of sections with divided holes which allow to route the cords. These holes protect against pulling out the cords.



Insert Magnat-Subdesk Multi into mounting hole and assembly of mounting brackets.



Use M5 screws to fix Magnat-Subdesk Multi to the desk.