

magnet-Tower



magnet-Tower

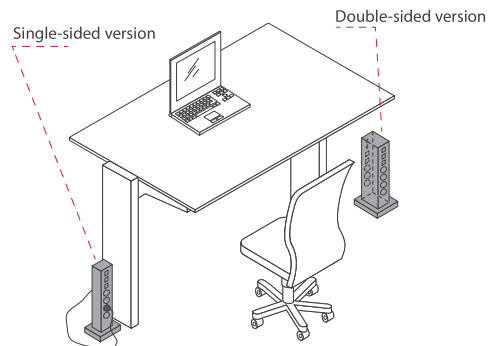
Very functional and aesthetic mini column which is a termination of electrical and multimedia underfloor wiring.

Made of high quality materials, it ensures easy and safe access to sockets and harmoniously blends into the background.

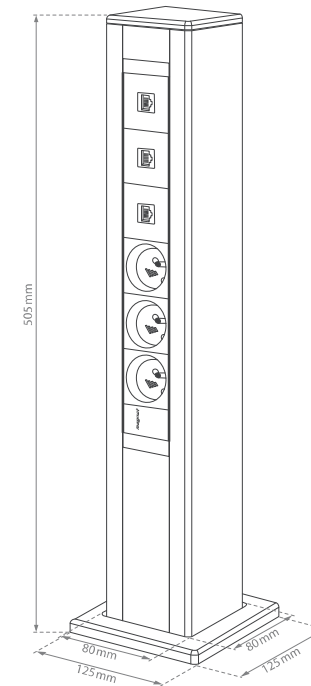
magnet-Tower is available in two versions: single and double-sided.

■ Standard versions: single-sided (6-module), double-sided (12-module).

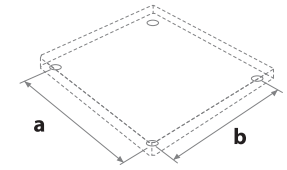
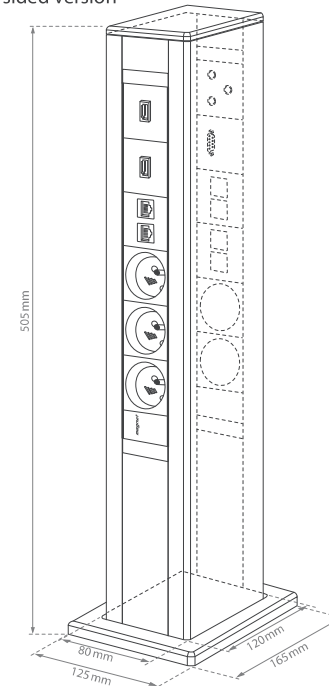
■ System used in **magnet** product line allows to adopt the configuration to individual client's needs because of available power sockets and multimedia modules. More information on page 28.



Single-sided version



Double-sided version



Mounting hole dimensions:

version	a x b
single-sided	72 mm x 98 mm
double-sided	72 mm x 138 mm

* In case of configurations with two circuits or with UK power sockets number of available modules is lower.

Assembly to the floor using 4 screws. Apply the cover on column base.

