

TS 1000 C



101833-05



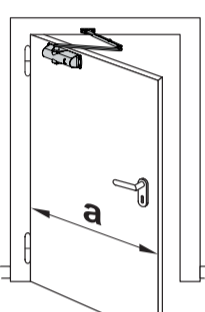
i

CE	GEZE GmbH P.O. Box 1363 71226 Leonberg	06
	EN 1154	4 8 3/2 1 1 1 4
0672-CPD-0119		
Substanz: -----		

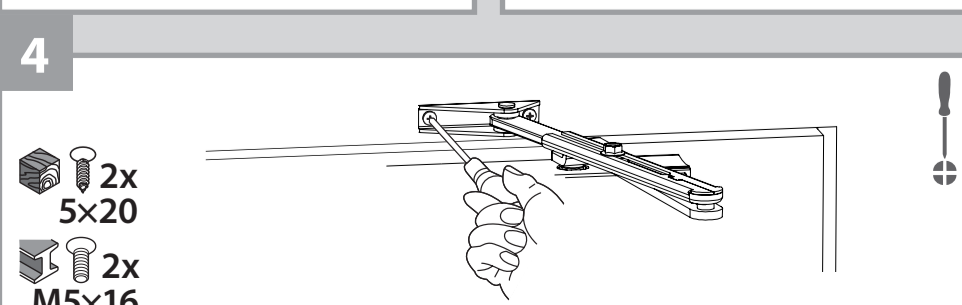
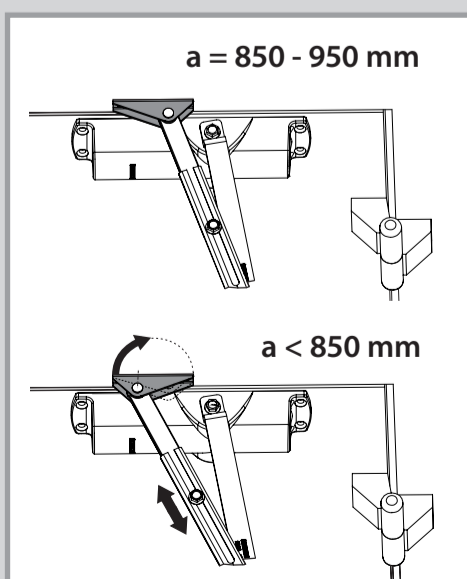
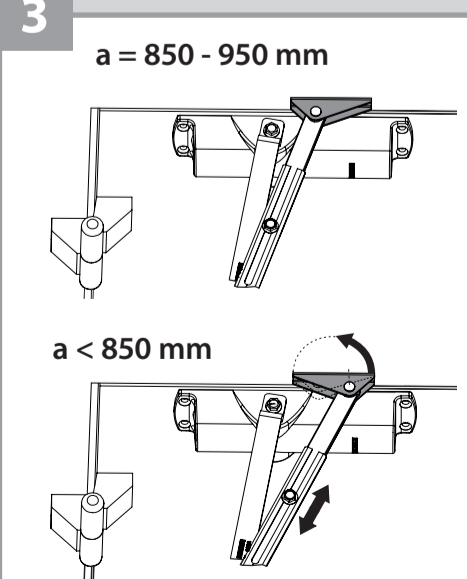
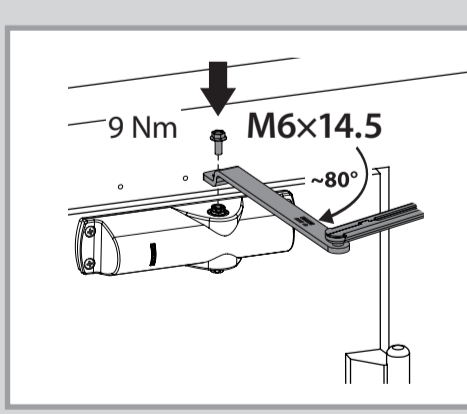
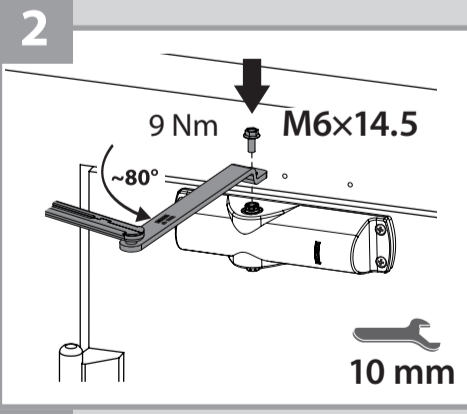
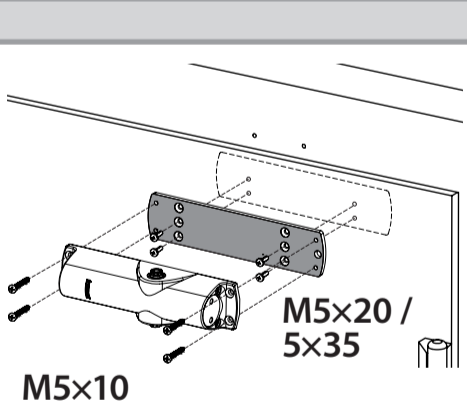
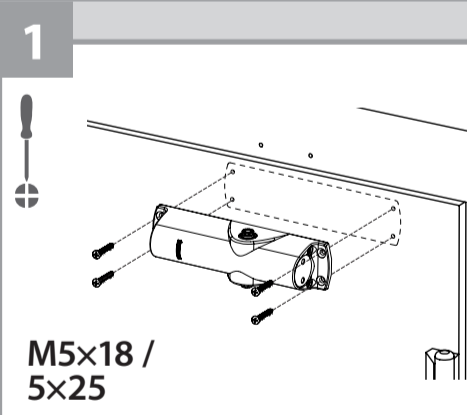
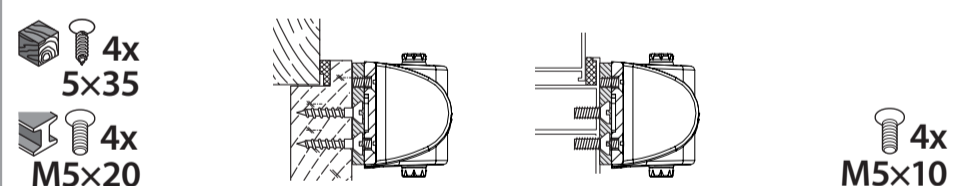
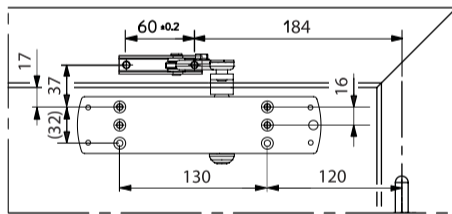
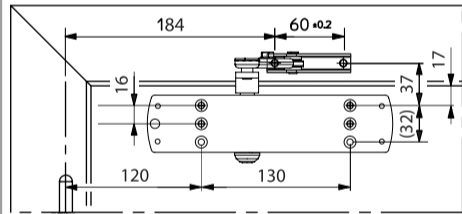
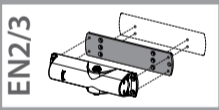
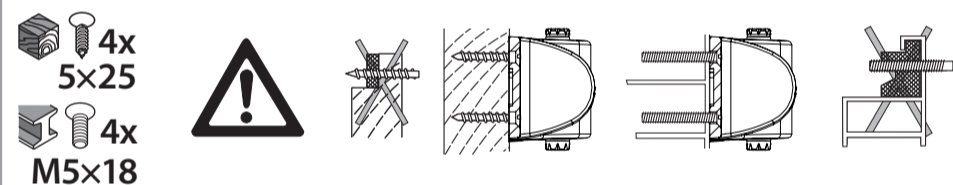
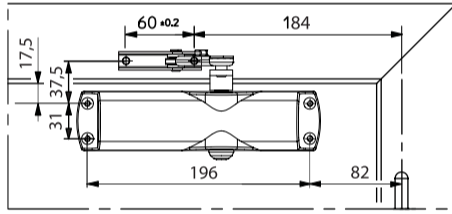
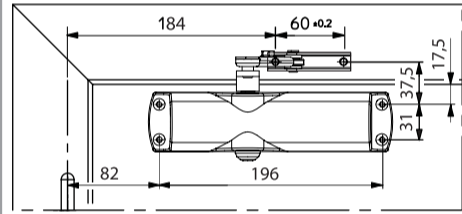
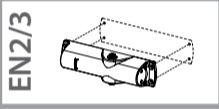
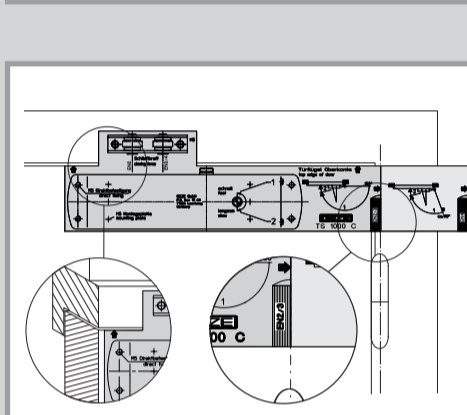
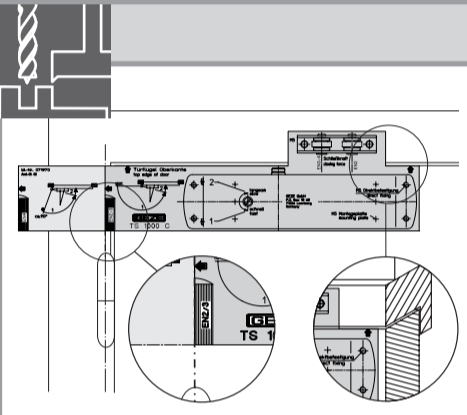
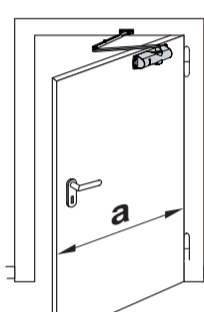
A

B

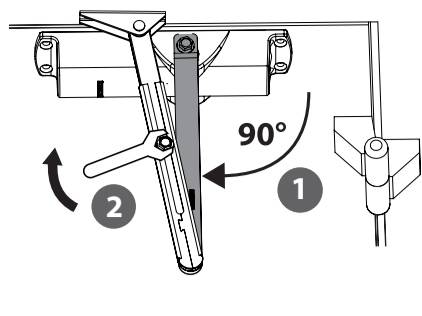
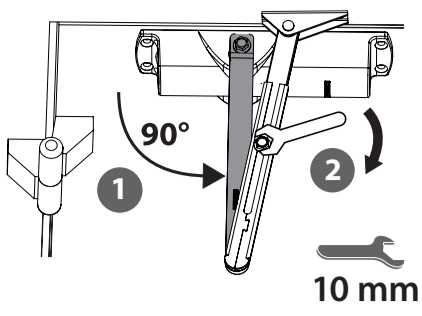
EN2/3
a ≤ 950 mm



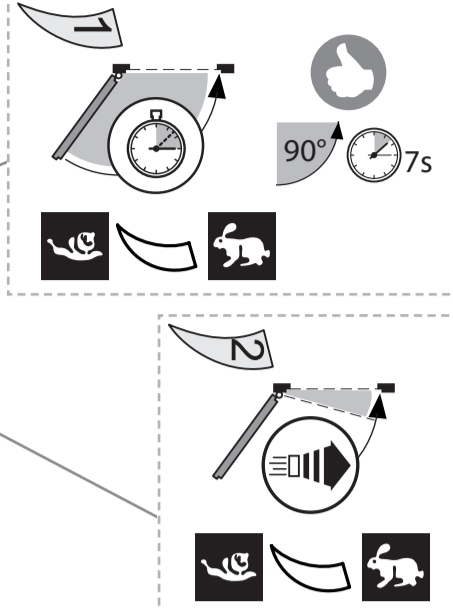
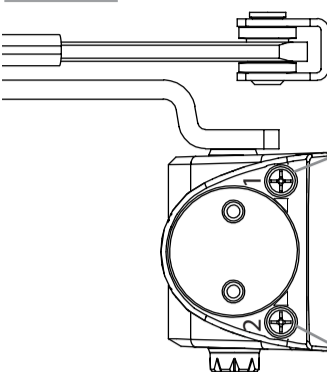
EN2/3
a ≤ 950 mm



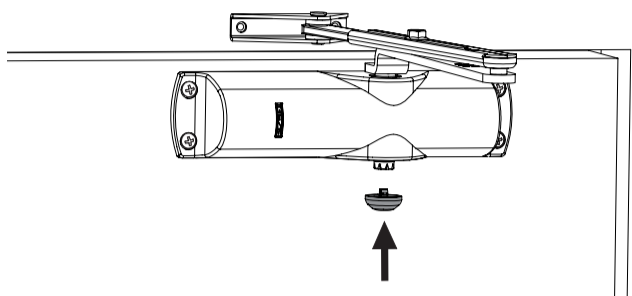
5



6

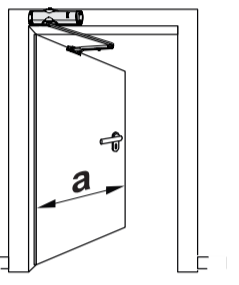


7

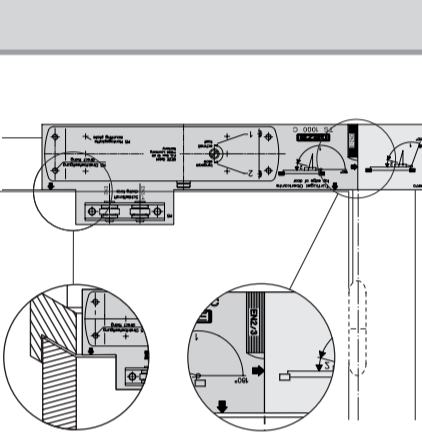
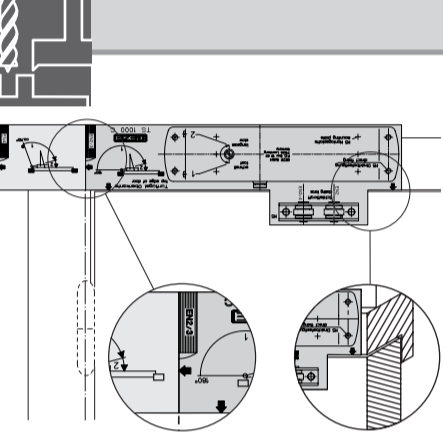
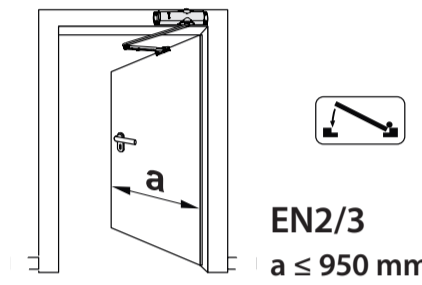


i

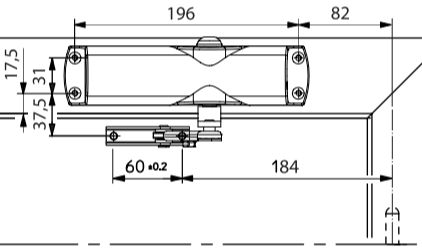
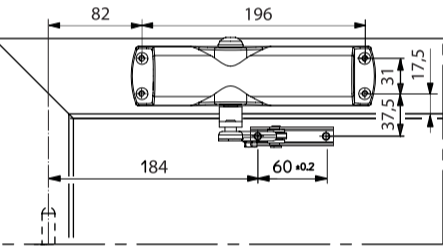
EN2/3
a ≤ 950 mm



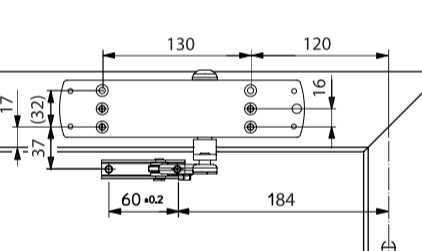
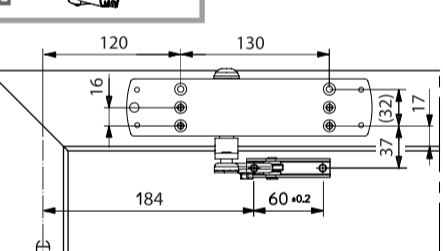
EN2/3
a ≤ 950 mm



EN2/3

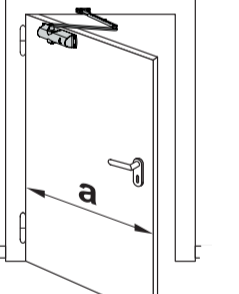


EN2/3

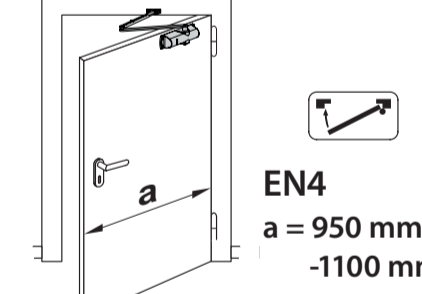


i

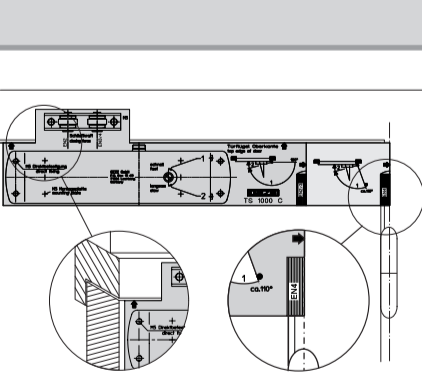
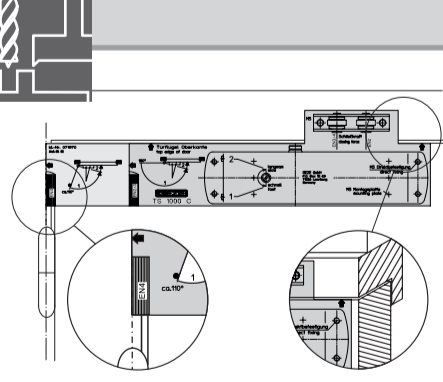
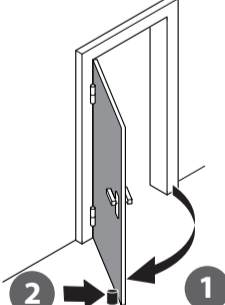
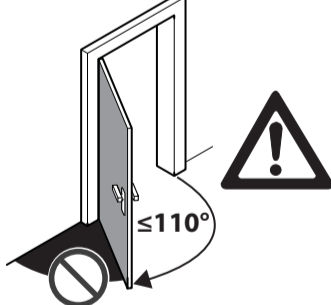
EN4
a = 950 mm
-1100 mm



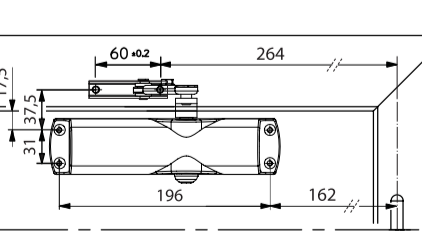
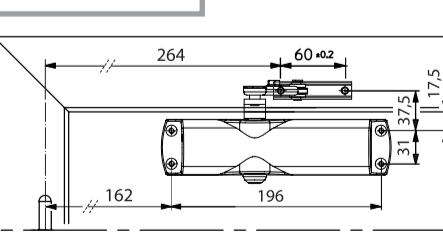
EN4
a = 950 mm
-1100 mm



i+



EN4



EN4

