

TS 1500

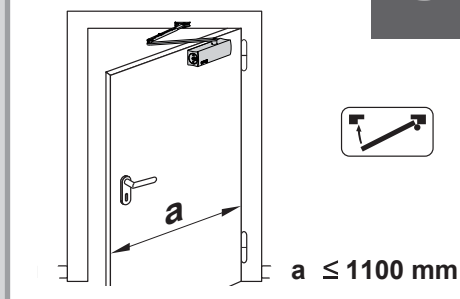
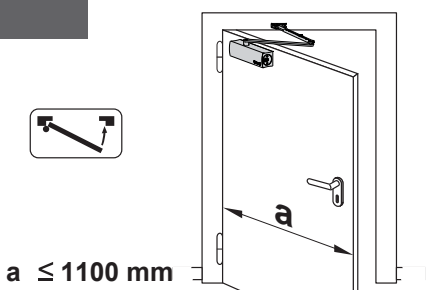


101827-08



A

B

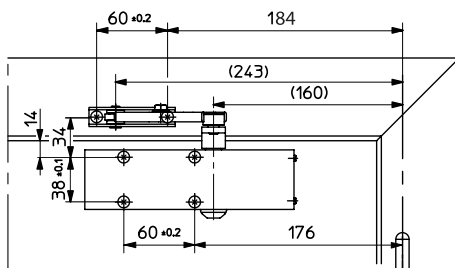
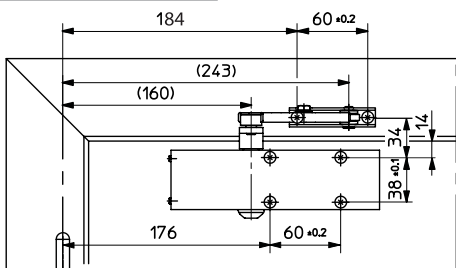
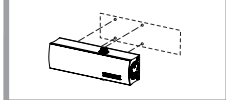
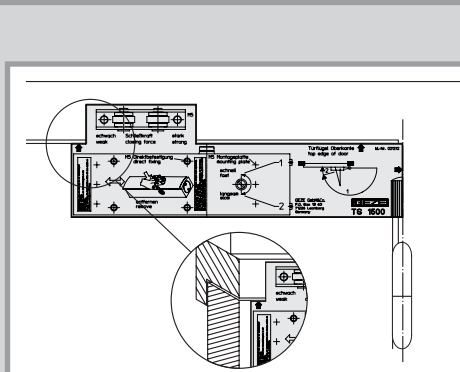
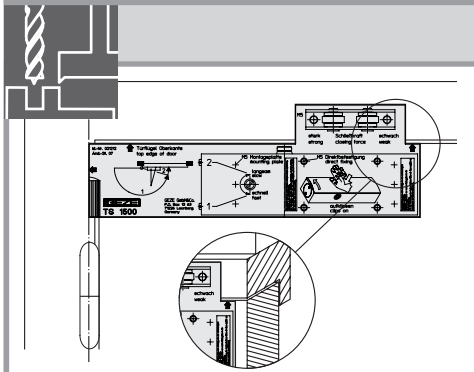


$a \leq 1100 \text{ mm}$

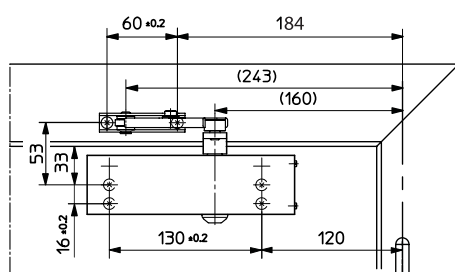
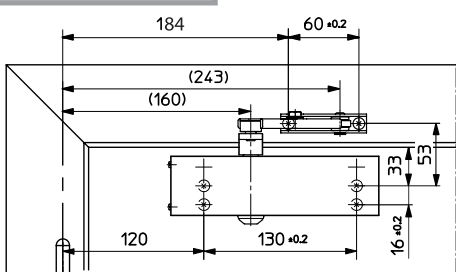
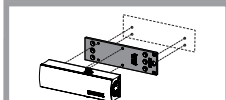
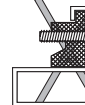
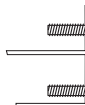
$a \leq 1100 \text{ mm}$

i

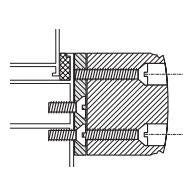
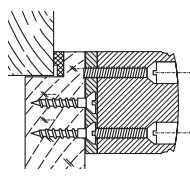
CE	GEZE GmbH	11
	P.O. Box 1363 71226 Leonberg	
0672-CPD-0120	EN 1154	4 8 4/3 1 1 3
Substanz: -----		



- 4x 5x52
- 4x M5x42

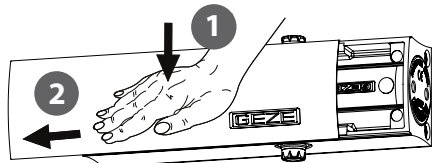


- 4x 5x35
- 4x M5x20

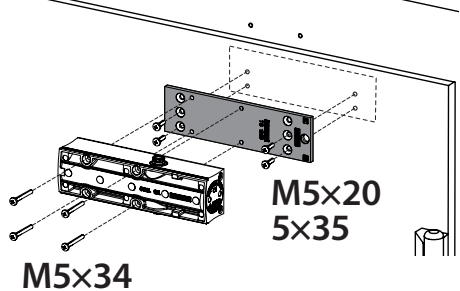
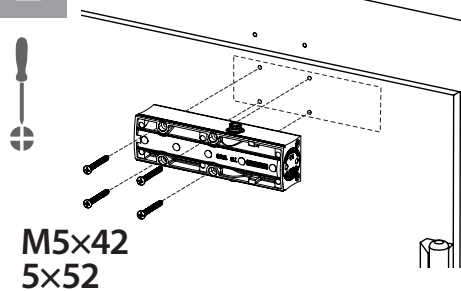


- 4x M5x34

1



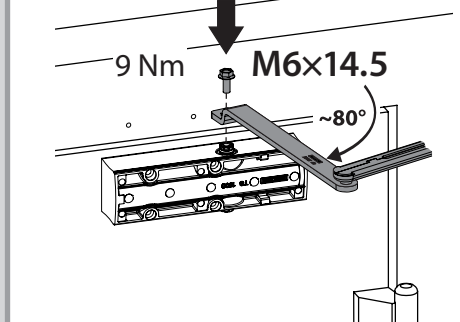
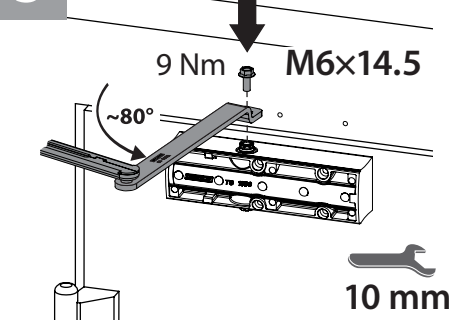
2



M5x42
5x52

M5x34
5x35

3



9 Nm M6x14.5

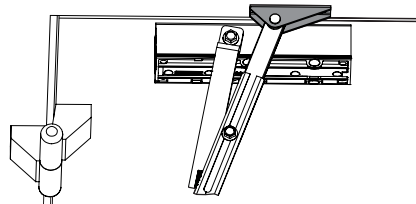
9 Nm M6x14.5

10 mm

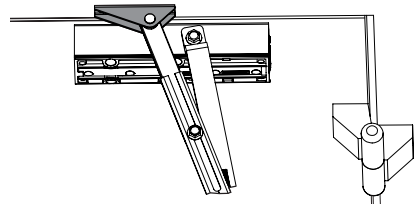


4

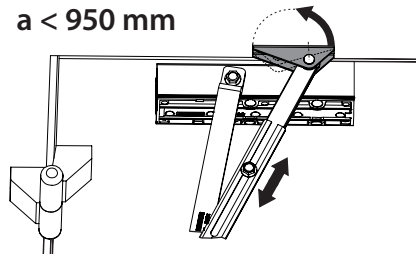
a = 950 - 1100 mm



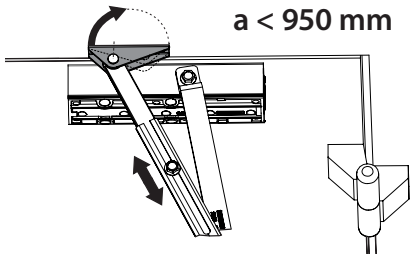
a = 950 - 1100 mm



a < 950 mm

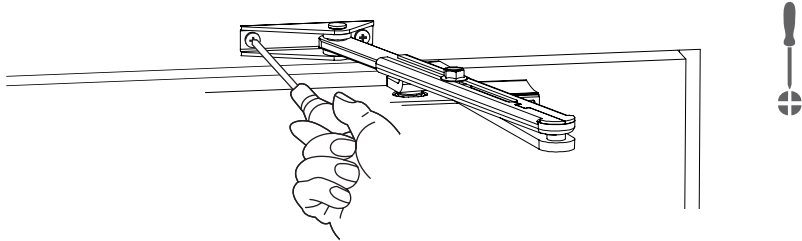


a < 950 mm

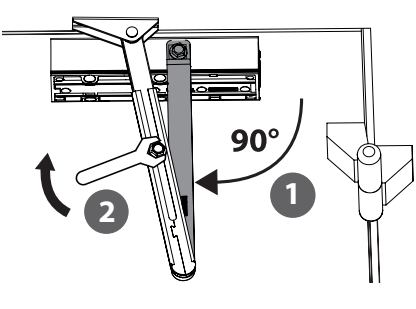
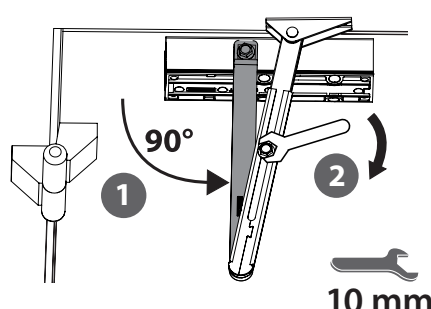


5

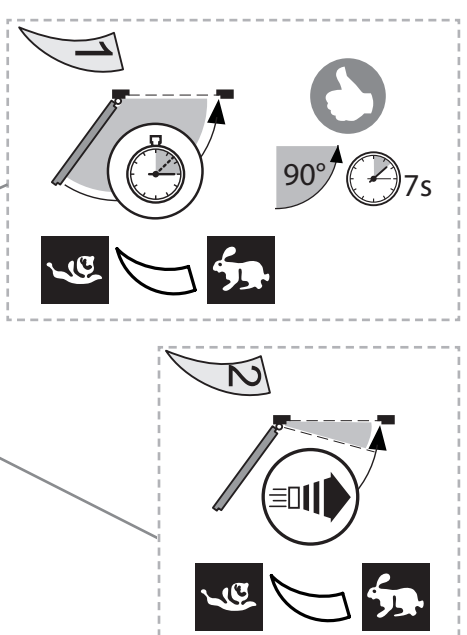
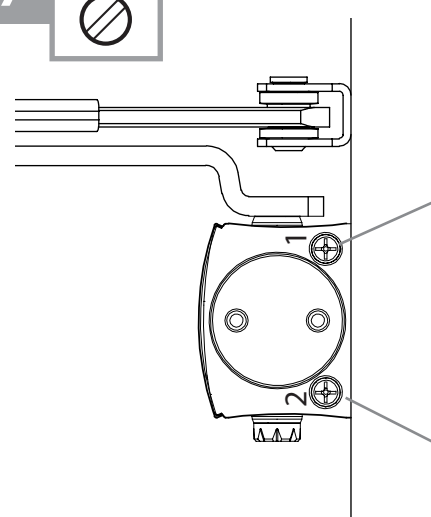
- 2x
5x20
- 2x
M5x16



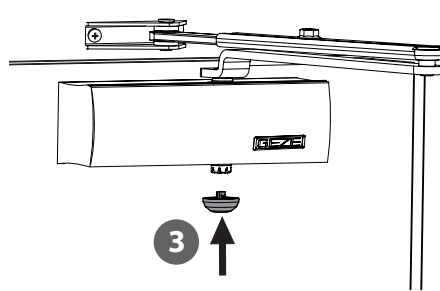
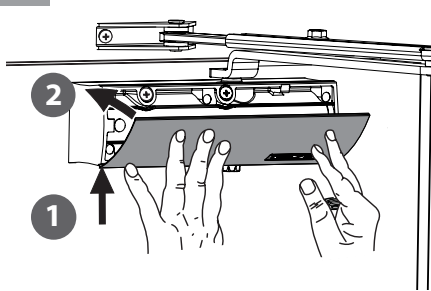
6



7



8



i

