

# Electro-mechanical Lock

**ASSA ABLOY**  
Opening Solutions

## ASSA ABLOY PIN



### Area of use

ASSA ABLOY PIN is a stand-alone battery driven code locker lock. The lock is designed for usage in dry areas, but can be used in wet area applications together with a rubber gasket.

### Properties / characteristics

The lock can be retrofitted by utilising the existing hole foot-print/fixings with just an extra hole for the upper screw. The lock can be mounted in both vertical and horizontal position.

The lock is available in 2 barrel lengths.

- For assembly on doors with 1-15 mm door thickness.
- For assembly on doors with 15-23 mm door thickness.

The lock has sound and light feedback to improve user experience.

The lock has 3 code levels:

- User Code (4 digits)
- Janitor / Staff Code (6 digits)
- Master Code (8 digits)

The lock has a USB connection to be able to supply the lock with emergency power for access in case of depleted batteries.

Suitable for use with ASSA ABLOY standard cams. (see separate data sheets)

Built in torque-overload protected clutch function in handle.

### Function

The lock works in 2 different modes. These are:

1. Private Mode  
The locked is open with the same pre-programmed codes.
2. Public Mode  
The lock can be locked with any one time code.  
Once unlocked the lock is free for input of new user code.

Quick setup is available for easy deployment into any of the above 2 modes.

Additional functionality can be easily added/deleted using standard programming.

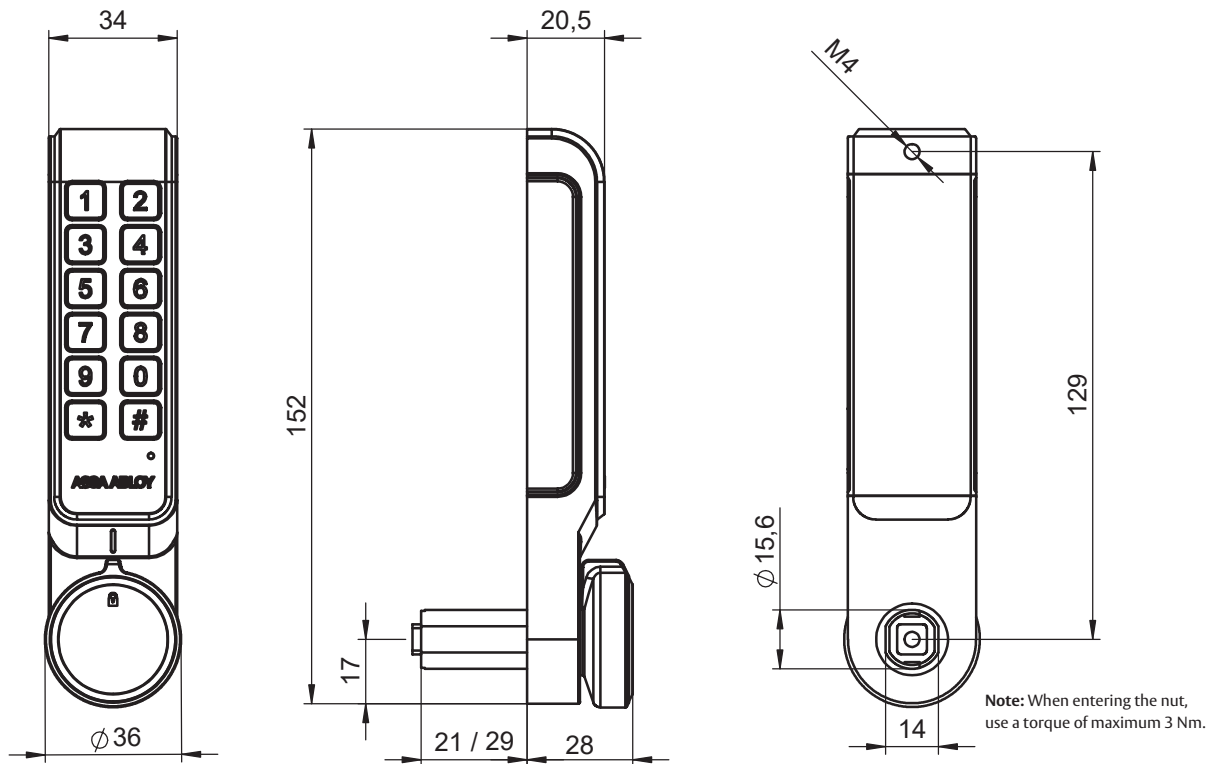
The lock comes with variable time opening, meaning the lock automatically unlocks after a pre-set period of time.

The lock comes with a time-delay function, which is activated when the wrong code is entered repeatedly.

# Electro-mechanical Lock ASSA ABLOY PIN

**ASSA ABLOY**  
Opening Solutions

ASSA ABLOY PIN



## Technical Data

- Batteries: 3 AAA  
Number of openings before battery change: 25 000
- Maximum number of user codes: 10
- USB-port: Micro Type B with external power source.

Article numbers Locks	
PIN Vertikal-Short	493310 000000
PIN Vertikal-Long	493311 000000
PIN RH-Short	493320 000000
PIN RH-Long	493321 000000
PIN LH-Short	493330 000000
PIN LH-Long	493331 000000
Article numbers accessories	
Rubber Gasket	493390 000000

ASSA ABLOY Opening Solutions Sweden  
P.O. Box 371  
SE-631 05 Eskilstuna  
Sweden

Phone +46 (0)16 17 70 00  
Fax +46 (0)16 17 70 49

Customer support:  
Phone intl. +46 (0)16 17 71 00  
Phone nat. 0771-640 640  
Fax +46 (0)16 17 73 72  
e-mail: [helpdesk.se.openingsolutions@assaabloy.com](mailto:helpdesk.se.openingsolutions@assaabloy.com)  
[www.assaabloyopeningsolutions.se](http://www.assaabloyopeningsolutions.se)